

Data Sheet

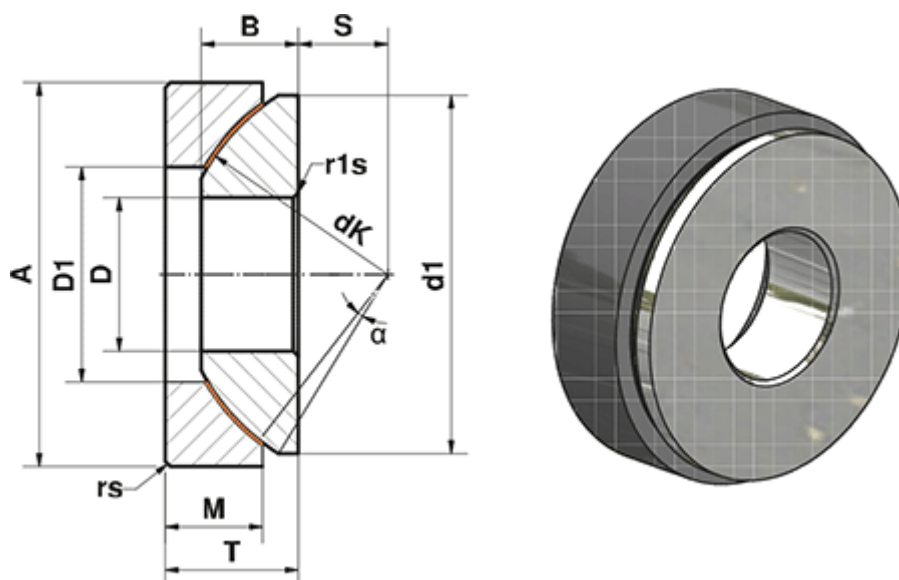


Article number: 03450015

Description: Fluro Heavy Duty Spherical Plain Bearing GE 15 AWE
Hole \varnothing 15

Note: 15

Measures



A	= 42	M	= 10.8
a (degrees)	= 6	rs, r1s min	= 0.6
B	= 11	S	= 10
D	= 15	Static load C0 (kN)	= 278
D1	= 24.5	T	= 15
d1 min	= 39	Weight (g)	= 108
dK	= 46		
Dynamic load C (kN)	= 167		